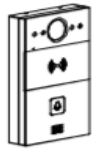


# FE-IPDS-20WM Quick Guide

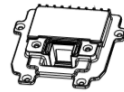
## Unpacking

Please make sure the package contains the following items:

### Universal Accessories :



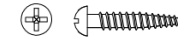
FE-IPDS-20WM X



Back cover X 1



M2.5 x 6 screw X 6



ST4x20 screw X 2



Rope X 1



Allen Wrench X 1



Cable locking plate X 1



Screw fixing seat X 2



M3x6 screw X 2



M4x30 screw X 2



Wall-mounting bracket X 1

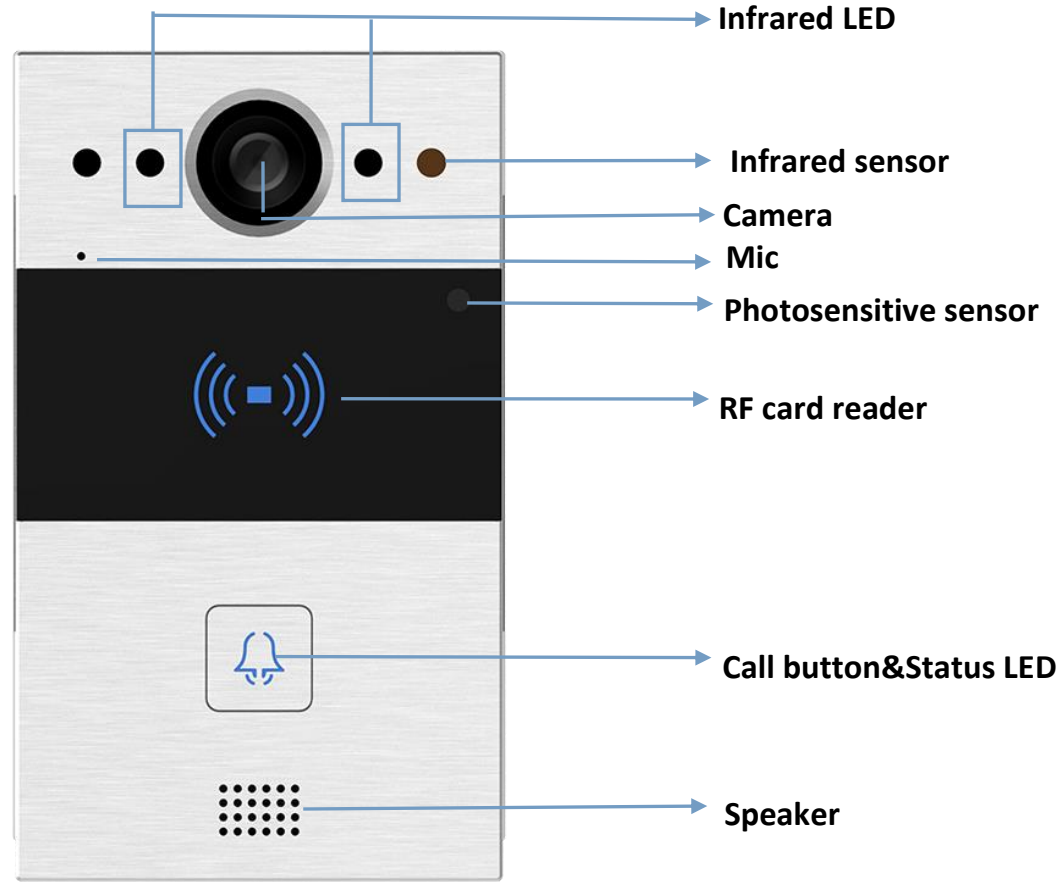


Rubber Plug X 3  
(S,M,L)



Wall-mounting screw X 4

**Product Overview**



**FE-IPDS-20W**

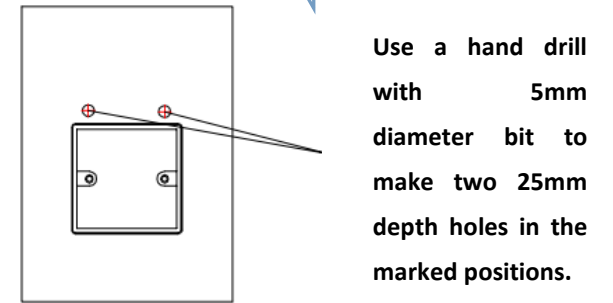
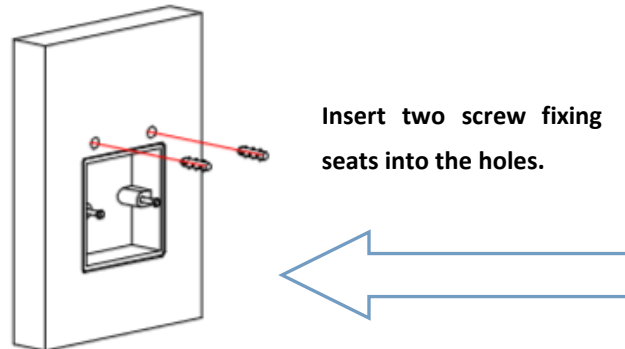
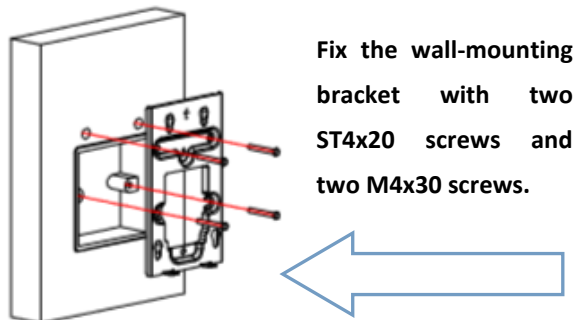
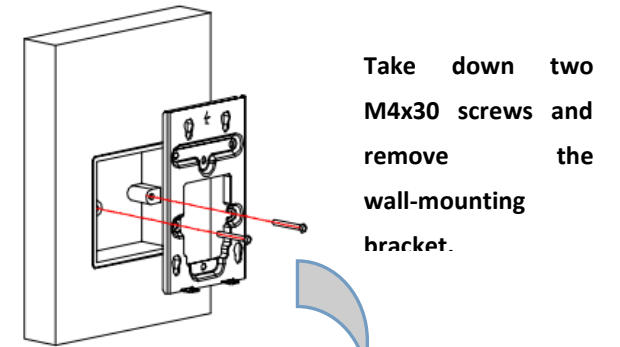
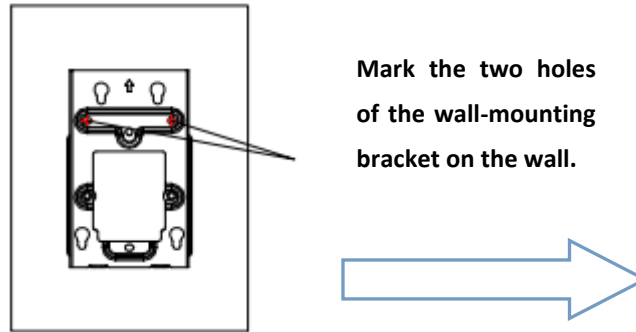
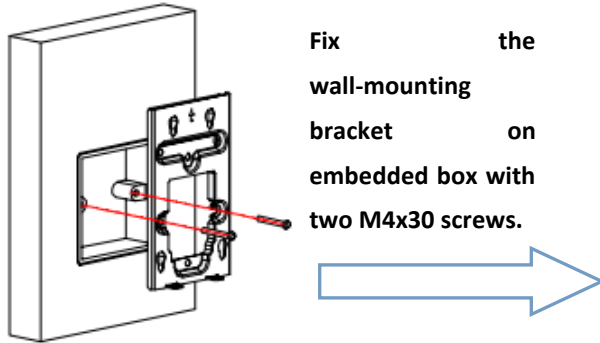


## Installation

### Step1: Bracket/Box Installation

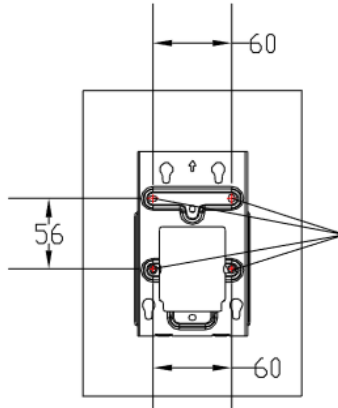
#### Wall Mounting

With 86 embedded box in the wall

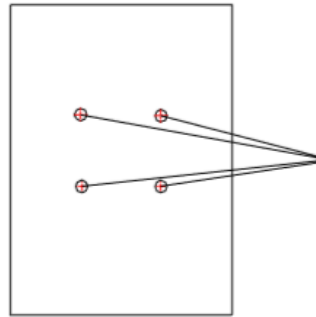




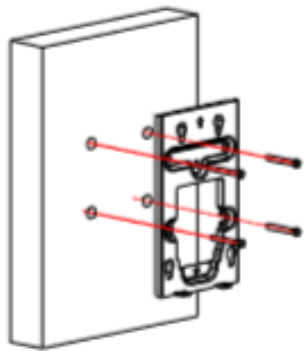
**Without 86 embedded box in the wall**



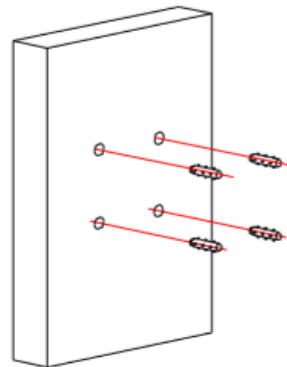
Mark the two holes of the wall-mounting bracket on the wall for the screws.



Use a hand drill with 5mm diameter bit to make four 25mm depth holes in the marked positions.

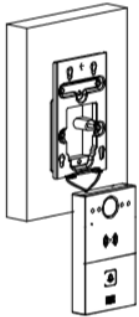


Fix the wall-mounting bracket with four ST4x20 screws.

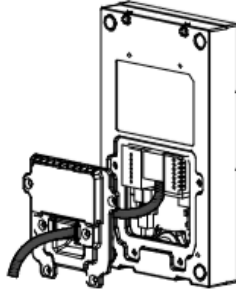


Insert four screw fixing seats into the holes.

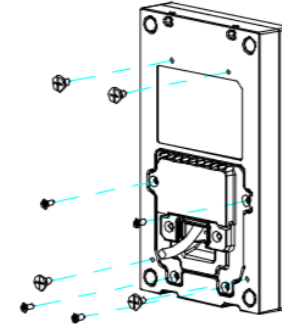
## Step2: Back Cover Installation



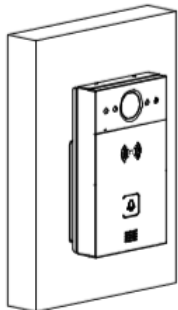
For convenient wiring, hang FE-IPDS-20WM on the wall-mounting bracket with rope.



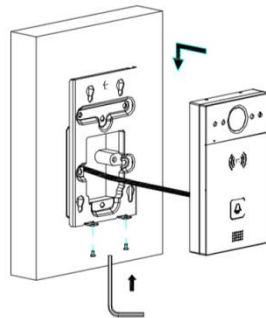
Make cables go through the back cover, connecting to the corresponding interfaces of the main board.



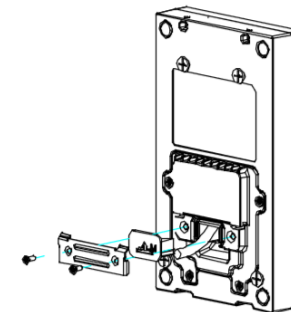
Fasten the back cover with four M2.5x6 screws, then fix four wall-mounting screws on the back of FE-IPDS-20WM.



After successful installation, check the stability of device.



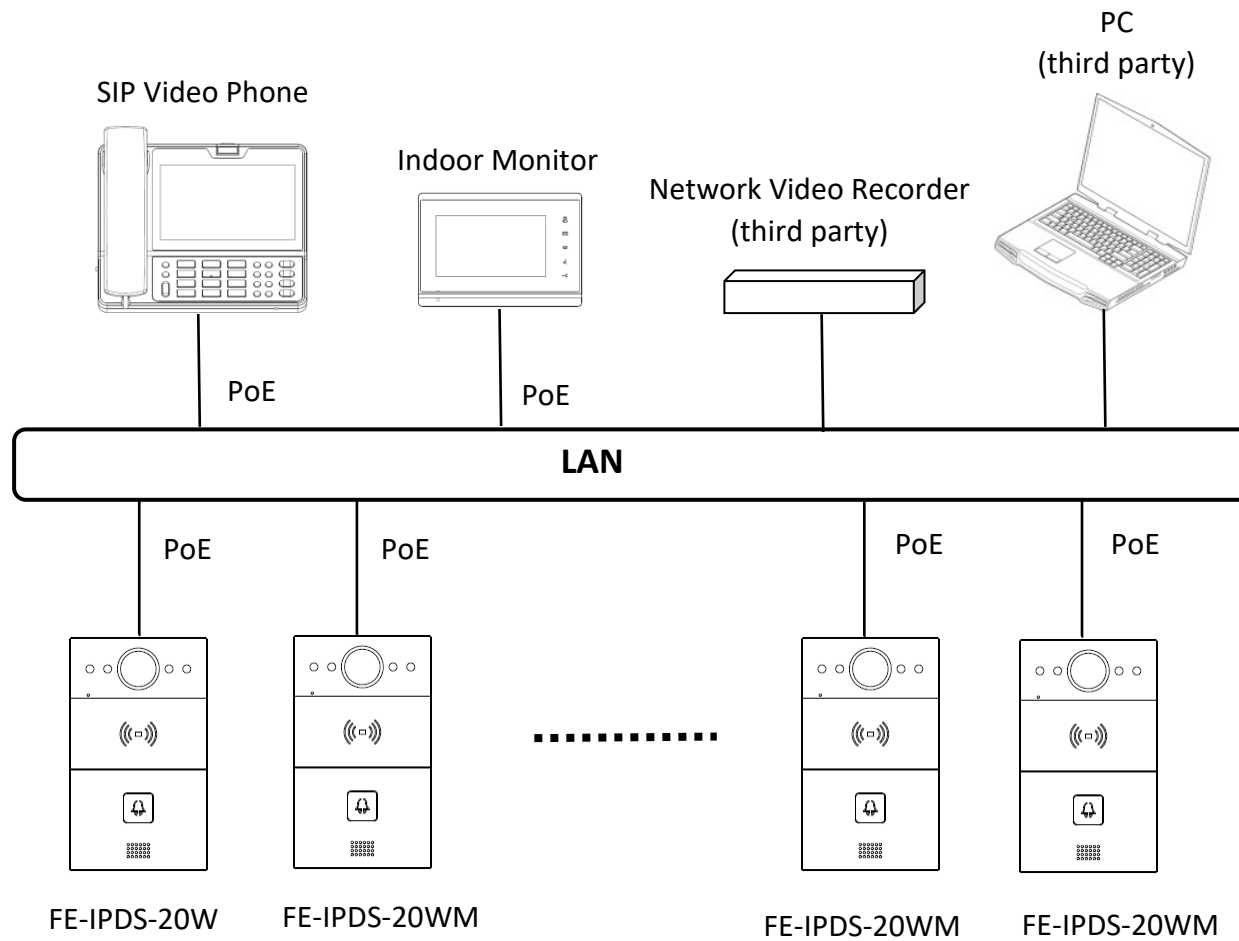
Insert the four wall-mounting screws on the device into the corresponding holes on the wall-mounting bracket, and then press down to slide the wall-mounting screws into the groove. Then use the Allen Wrench to tighten the device with two M3x6 screws.



Select a suitable size rubber plug to push all the cables into the back cover. Fix cable locking plate to the back cover with two M2.5x6 screws.



## Application Network Topology





## IP Announcement

1. While FE-IPDS-20WM starts up normally, hold the call button for several seconds after the Status LED turns blue, voice system will enter IP announcement mode.
2. In announcement mode, the IP address will be announced periodically.
3. Press Call Button again to the announcement mode.
4. In announcement mode, phone announces "IP 0.0.0.0" if no IP address is gained.

## Configuration

1. Access the Web UI: Input the IP address into web browser to configure the phone.
2. Account Registration: On web UI, go to the path: **Account -> Basic** page Register Account and fill in the account information. (*Please refer to user manual for more information*)
3. Configure the Push Button: On web UI, go to the path: **Intercom -> Basic -> Push Button** to configure the call number.
4. Configure the code to open the relay: On web UI, go to the path: **Intercom -> Relay -> Relay ID/DTMF** and choose the DTMF code number in corresponding area.

## Operation

### Make a call:

1. Press the call button to call indoor SIP Phone.
2. During the talk, called party can press pre-configured code number to unlock the door.

### Receive a call:

FE-IPDS-20WM supports Auto Answer by default. Incoming call from indoor device will be answered automatically.



## Indicators

☀: Light ON ○: Light OFF

| Name             | Status   | Description           |                              |
|------------------|----------|-----------------------|------------------------------|
| Status indicator | Blue     | ☀                     | Normal status                |
|                  |          | ☀ 0.25sec → ○ 0.25sec | Calling                      |
|                  | Red      | ☀ 0.05sec → ○ 0.05sec | Restarting                   |
|                  |          | ☀ 0.25sec → ○ 0.25sec | Network is unavailable       |
|                  | Green    | ☀                     | Initialing/Talking on a call |
|                  |          | ☀ 0.25sec → ○ 0.25sec | Receiving a call             |
|                  | Red/Blue | ☀ 0.05sec → ☀ 0.05sec | Firmware upgrading           |

**Note:** For more LED settings, please refer to FE-IPDS-20WM webUI: **Intercom** -> **LED**

**FREUND ELEKTRONIKA d.o.o**

International Burch University | Francuske revolucije bb | 71210 Ilidza | Bosnia and Hercegovina

[www.ip-integra.com](http://www.ip-integra.com) | [info@ip-integra.com](mailto:info@ip-integra.com) | Tel. +387 33 922 890