

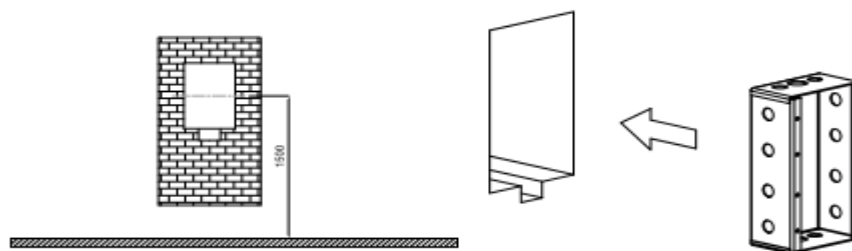
# FE-IPDS-21X INSTALLATION GUIDE

PERFECT INTERCOM CHOICE FOR DAILY LIFE

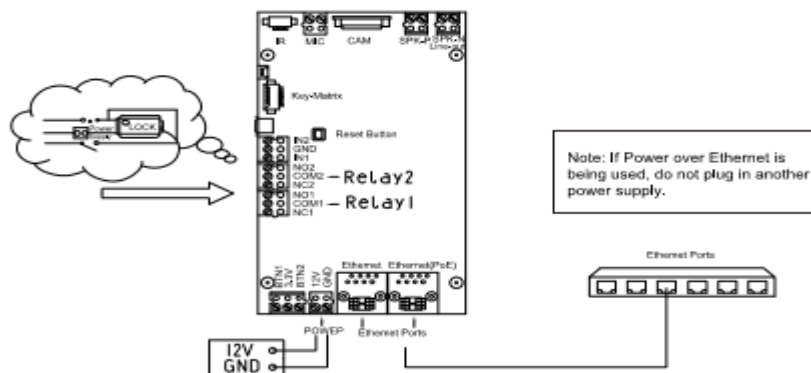
## INSTALLATION

### Back cover installation

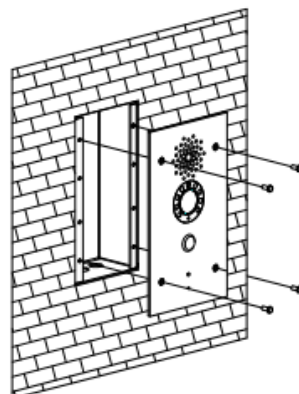
According to the size of back cover, chisel a suitable hole in the wall to insert it. Please ensure the back cover has been fixed (using cement or other adhesives to fix) and the path for power and Ethernet cables have been reserved.



### Connect to the power and Internet



### Fix the panel with screws



## Configuration

1. Access the Web UI: Input the IP Address onto browser to configure the phone.
2. Account Registration: On Web UI, go to the path: **Account>Basic** to register an account and fill in the account registration. *(Please refer to user manual for more information)*
3. Push Button Configuration: On Web UI , go to the path: **Intercom>Basic>Push Button** to configure the call number.
4. DTMF Code Configuration: On Web UI, go to the path: **Intercom>Relay&Input>Relay** and choose the DTMF code number in corresponding area.

## IP Announcement

1. While 21X starts up normally, hold the call button for several seconds after LED light turns blue, the voice system will enter IP announcement mode.
2. In announcement mode, the IP address will be announced periodically.
3. Press Call Button again to exit the announcement mode.

\*If no IP address has been obtained, 21X announces "IP0.0.0.0".

## Operation

### Make a call:

1. Press the call button to a call indoor SIP Phone, video call is only for 21X.
2. During the talk, called party can press predefined DTMF code number to open the door.

### Receive a call:

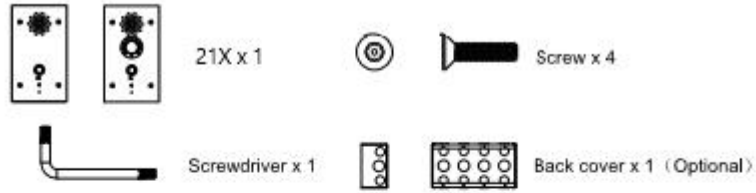
21X supports Auto Answer by default, Incoming calls from indoor device will be answered automatically.

### LED Status Information

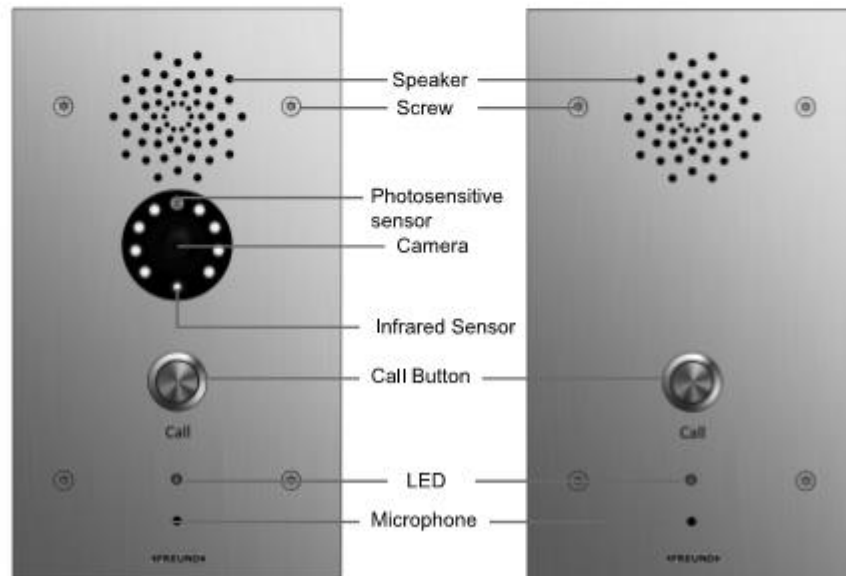
LED Status		Description
Blue	Always on	Normal status
	Flashing	Calling
Red	Flashing	Network is unavailable
Green	Always on	Talking on a call
	Flashing	Receiving a call
Pink	Flashing	Firmware upgrading

## Unpacking

Please make sure the package contains the following items:



## Product Overview



**FREUND ELEKTRONIKA d.o.o**

International Burch University | Francuske revolucije bb | 71210 Ilidza | Bosnia and Hercegovina

[www.ip-integra.ba](http://www.ip-integra.ba) | [info@ip-integra.com](mailto:info@ip-integra.com) | Tel. +387 33 922 890