

FREUND FE-IPDS-28A User Manual

FREUND ELEKTRONIKA d.o.o

International Burch University | Francuske revolucije bb | 71210 Ilidza | Bosnia and Hercegovina

www.ip-integra.ba | info@ip-integra.com | Tel. +387 33 922 890



Content

1. Product Overview	1
1.1. Product Description	1
1.2. Connector Introduction	1
2. Daily Use	3
2.1. Make a Call	3
2.2. Receive a Call	4
2.3. Unlock	5
2.3.1. Unlock by Public Pin Codes	5
2.3.2. Unlock by Private Pin Codes	5
2.3.3. Unlock by RFID Cards (Optional)	6
2.3.4. Unlock by DTMF Codes	6

FREUND ELEKTRONIKA d.o.o

International Burch University | Francuske revolucije bb | 71210 Ilidza | Bosnia and Hercegovina

www.ip-integra.ba | info@ip-integra.com | Tel. +387 33 922 890

1. Product Overview

1.1. Product Description

Freund FE-IPDS-28A is a SIP-compliant, hands-free and video door phone. It can be connected with Freund indoor monitors for remote access controlling and monitoring. Users can communicate with visitors via audio and video calls and unlock the door if they need. Users can also use RFID cards to unlock the door. It is applicable in apartments, offices and so on.

1.2. Connector Introduction

Ethernet (POE): Ethernet (POE) connector which it can provide both power and network connection.

12V/GND: External power supply terminal if POE connector is not available.

RS485A/B: RS485 terminal.

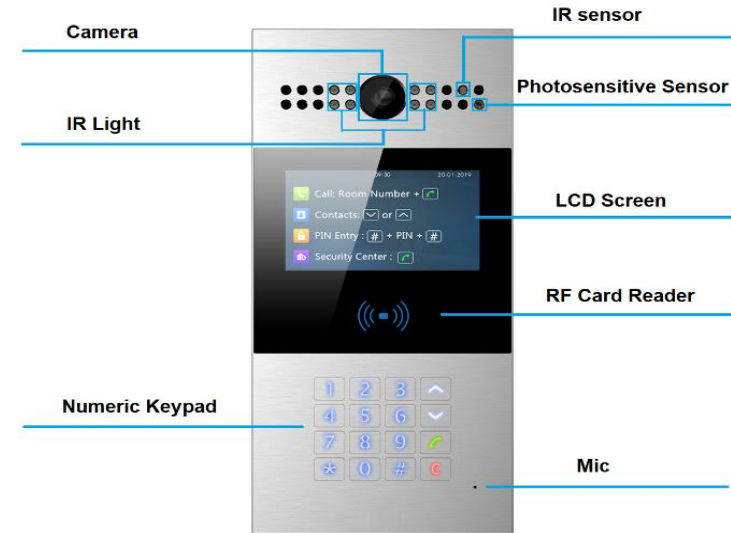


Figure 1.1 Product description

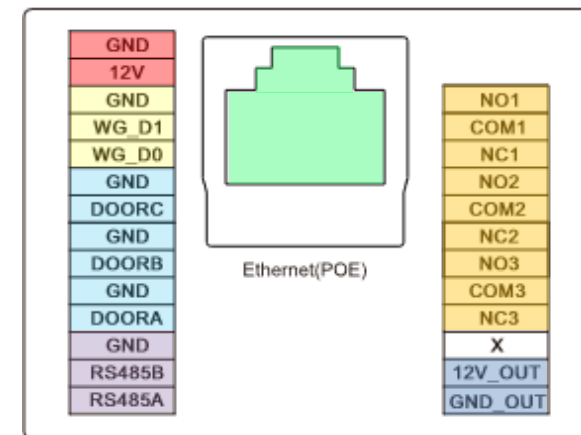


Figure 1.2-1 FE-IPDS-28A interface

WG_D0/WG_D1: Wiegand terminal.

DOORA/B/C: Trigger signal input terminal.

RelayA/B/C (NO/NC/COM): Relay control terminal.

12V_OUT/GND_OUT: Power output terminal.

Note: The general door phone interface diagram is only for reference.

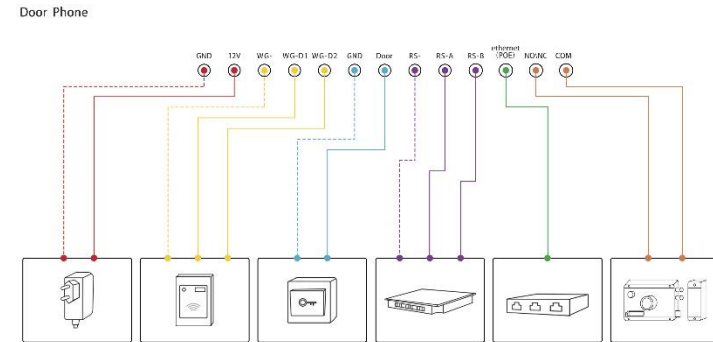


Figure 1.2-2 General interface

2. Daily Use

2.1. Make a Call

Call: Users can make a call by entering room number, SIP extension or IP address and then press “Dial key.”

Security center call: Users can make a speed dial to security center by pressing “Dial Key” directly.

Call from contacts: Users can press “Up/Down key” to enter contacts interface, select the contact to dial to by pressing up/down key on contacts interface and press “Dial key” to make a call.

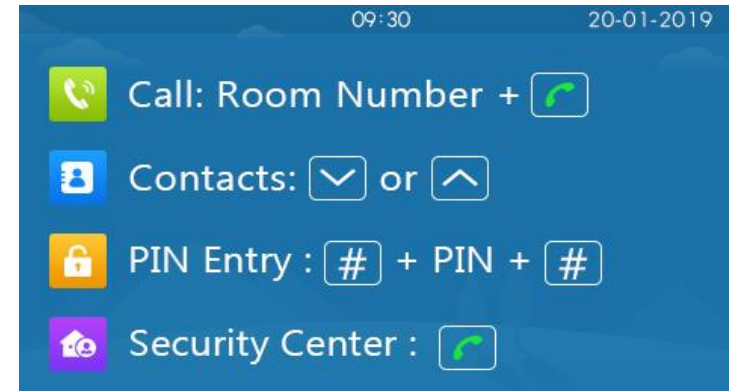


Figure 2.1-1 Idle interface

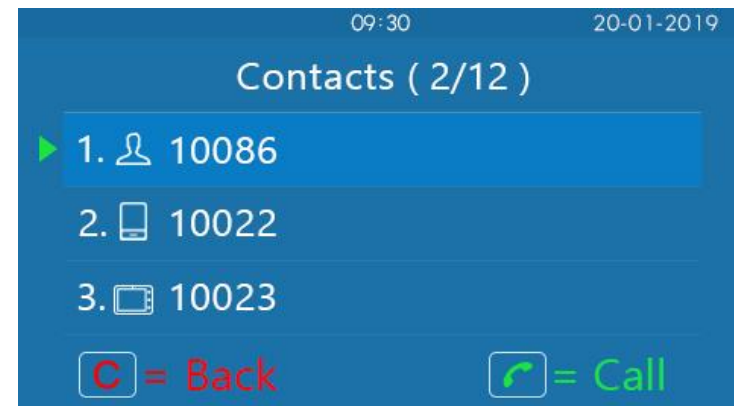


Figure 2.1-2 Contacts interface

2.2. Receive a Call

FE-IPDS-28A will auto answer the incoming call by default. If users disable auto answer function, they can press “Dial key” to answer the incoming call.

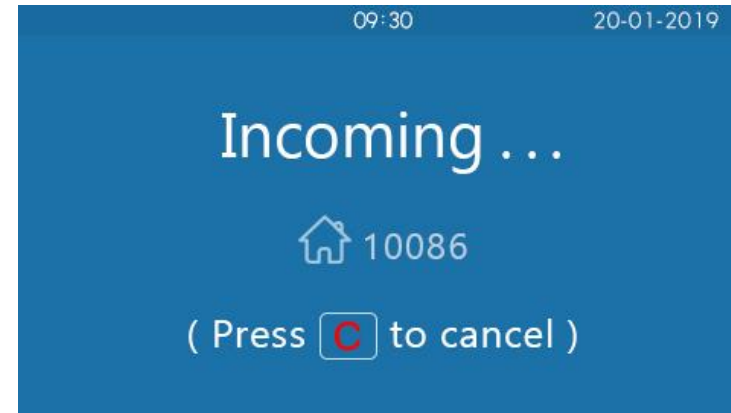


Figure 2.2 Incoming call interface

2.3. Unlock

Unlock by Public Pin Codes

Users can unlock doors by using predefined public pin code. Press “#,” public pin code, “#” to unlock, and then users will hear “The door is now opened.” If users press wrong public pin code, the screen will show “Incorrect PIN.” The default public pin code is 33333333. The default public pin code is 8 digits, and it can be changed to 3 to 8 digits.

Unlock by Private Pin Codes

Users can unlock doors by using predefined private pin code. Press “#,” private pin code, “#” to unlock, and then users will hear “The door is now opened.” If users press wrong private pin code, the screen will show “Incorrect PIN.” The default private pin code is 8 digits, and it can be changed to 3 to 8 digits.

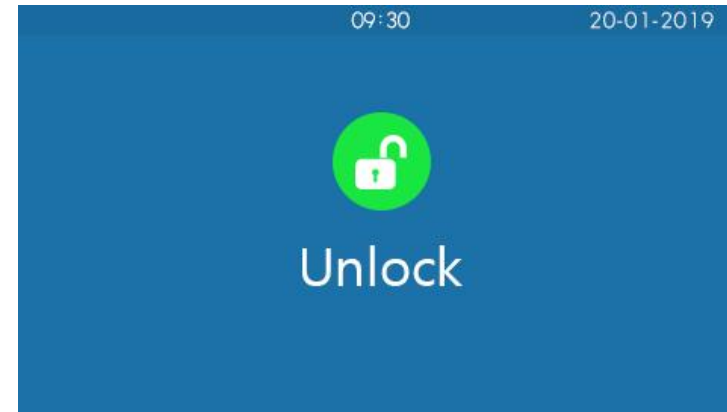


Figure 2.3.1-1 Unlock interface



Figure 2.3.1-2 Unlock failed interface

Unlock by RFID Cards (Optional)

Place the predefined user cards in RFID card reader to unlock. Under normal conditions, FE-IPDS-28A will announce “The door is now opened.” If the card has not been registered, FE-IPDS-28A will show “Unauthorized.” Both 13.56MHz and 125KHz RFID cards are supported on FE-IPDS-28A.

Unlock by DTMF Codes

Users can press the predefined DTMF code from an answer unit to remotely unlock the door during the call. Users will also hear “The door is now opened.”