



FREUND FE-IPDS-26B Door Phone User Manual

FREUND ELEKTRONIKA d.o.o

International Burch University | Francuske revolucije bb | 71210 Ilidza | Bosnia and Herzegovina
www.ip-integra.ba | info@ip-integra.com | Tel. +387 33 922 890

Content

1. Product Overview	1
1.1. Product Description.....	1
1.2. Connector Introduction.....	1
1.3. LED Status Information	2
2. Daily Use	3
2.1. Making a Call	3
2.2. Receiving a Call	3
2.3. Unlock.....	4
2.3.1. Unlock by RFID Cards	4
2.3.2. Unlock by DTMF Codes.....	4



1. Product Overview

1.1. Product Description

Freund FE-IPDS-26B is a SIP-compliant, hands-free, five buttons door phone. It can be connected with Freund indoor monitors for remote unlock control and monitor. Users can operate the indoor phone to communicate with visitors via voice and video. Users can also use RFID cards to unlock the door. It's applicable in villas, office and so on.

1.2. Connector Introduction

Ethernet (POE): Ethernet (POE) connector, which can provide both power and network connection.

12V/GND: External power supply terminal if POE is not available.

RS485 A/B: RS485 terminal.

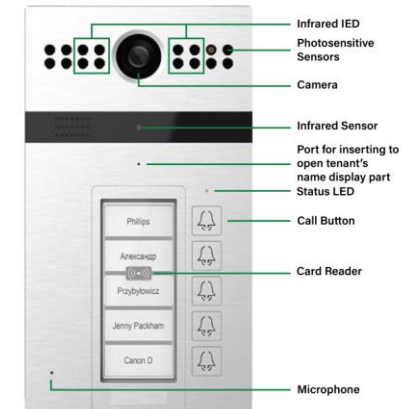


Figure 1.1 Product Description

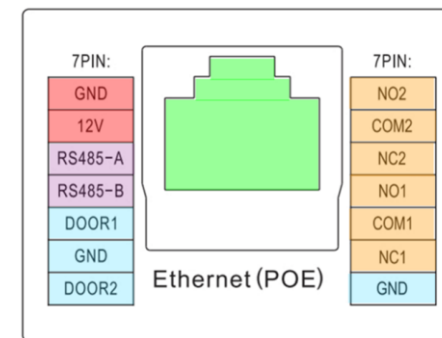


Figure 1.2-1 FE-IPDS-26B's interface



DOOR A/B: Trigger signal input terminal.

Relay A/B (NO/NC/COM): Relay control terminal.

Note: The general door phone interface diagram is only for reference.

1.3. LED Status Information

LED Status		Description
Blue	Always on	Normal status
	Flashing	Calling
Red	Flashing	Network is unavailable
Green	Always on	Talking on a call
	Flashing	Receiving a call
Pink	Flashing	Upgrading

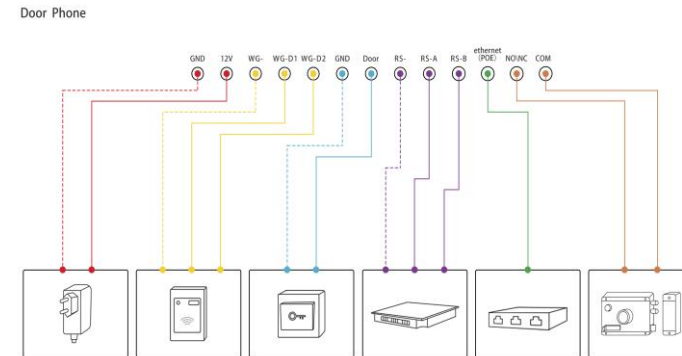


Figure 1.2-2 General interface



2. Daily Use

2.1. Making a Call

Press one of the call buttons to call out the predefined SIP account or IP address and if LED turns green, it means the call has been answered.

2.2. Receiving a Call

User can use IP phone or indoor monitor to call FE-IPDS-26B and FE-IPDS-26B will answer it automatically by default. If user disable auto answer, pressing button to answer incoming call.



2.3. Unlock

2.3.1. Unlock by RFID Cards

Place the predefined user cards in RFID card reader to unlock. Under normal conditions, FE-IPDS-26B will announce “The door is now opened.” 13.56 MHz RF card is supported on FE-IPDS-26B.

2.3.2. Unlock by DTMF Codes

Users can press the predefined DTMF code from an answer unit to remotely unlock the door during the call. Users will also hear “The door is now opened.”