



FE-IPDS-28A User Manual

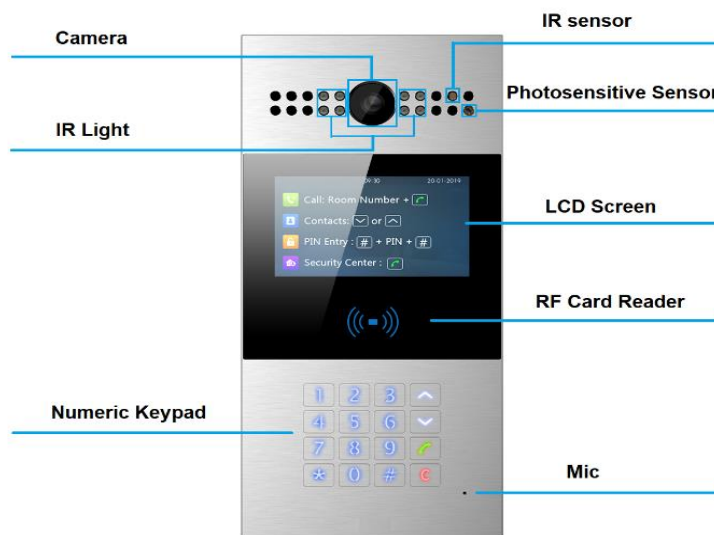
Table of Content

1. Product Overview.....	3
1.1 Product Description.....	3
1.2 Connector Introduction.....	4
2. Daily Use	5
2.1 Make a Call.....	5
2.2 Receive a Call.....	6
2.3 Unlock.....	6

1. Product Overview

1.1 Product Description

Freund FE-IPDS-28A is a SIP-compliant, hands-free, and video door phone. It can be connected with Freund indoor monitors for remote access controlling and monitoring. Users can communicate with visitors via audio and video calls and unlock the door if they need. Users can also use RFID cards to unlock the door. It is applicable in apartments, offices and so on.



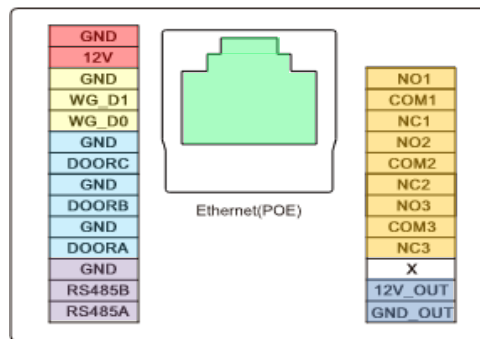
PRODUCT DESCRIPTION

1.2 Connector Introduction

Ethernet (POE): Ethernet (POE) connector which it can provide both power and network connection.

12V/GND: External power supply terminal if POE connector is not available.

RS485A/B: RS485 Terminal



CONNECTOR INTRODUCTION

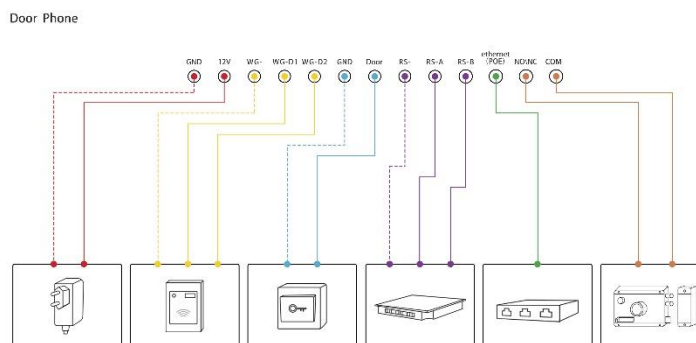
WG_D0/WG_D1: Wiegand Terminal

DOOR A/B/C: Trigger Signal Input Terminal

Relay A/B/C (NP/NC/COM): Relay Control Terminal

12V_OUT/GND_OUT: Power Output Terminal

Note: The general door phone interface diagram is only for reference.



GENERAL INTERFACE

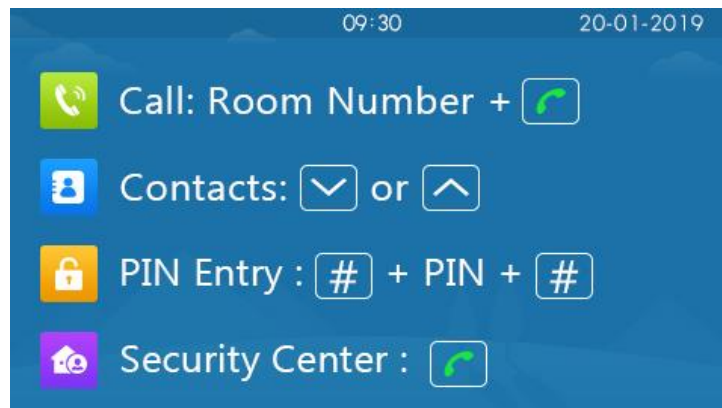
2. Daily Use

2.1 Make a Call

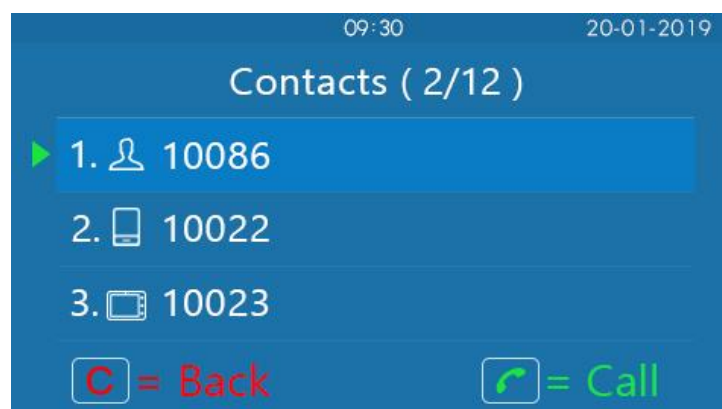
Call: Users can make a call by entering room number, SIP extension or IP address and then pressing “**Dial Key**”.

Security Center Call: Users can make a speed dial to security center by pressing “**Dial Key**” directly.

Call from contacts: Users can press “**Up/Down**” key to enter contacts interface, select the contact to dial by pressing up/down key on contacts interface and pressing “**Dial Key**” to make a call.



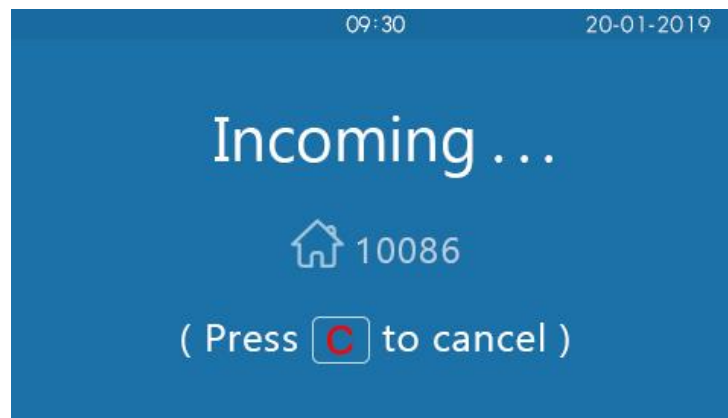
IDLE INTERFACE



CONTACTS INTERFACE

2.2 Receive a Call

FE-IPDS-28A will auto answer the incoming calls by default. If Auto Answer is disabled, users can press “**Dial Key**” to answer the incoming calls.



INCOMING CALL INTERFACE

2.3 Unlock

Unlock using Public Pin Codes

Users can unlock doors by using predefined public pin code. Press “#,” public pin code, “#” to unlock, and then users will hear “The door is now opened.” If users press wrong public pin code, the screen will show “Incorrect PIN.” The default public pin code is 33333333. The default public pin code is 8 digits, and it can be changed to 3 to 8 digits.



UNLOCK INTERFACE

Unlock using Private Pin Codes

Users can unlock doors by using predefined private pin code. Press “#,” private pin code, “#” to unlock, and then users will hear “The door is now opened.” If users press wrong private pin code, the screen will show “Incorrect PIN.” The default private pin code is 8 digits, and it can be changed to 3 to 8 digits.



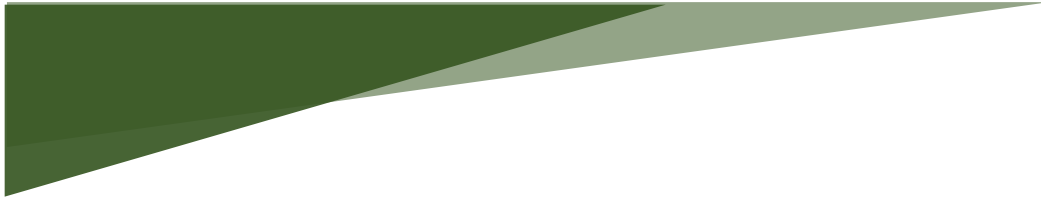
UNLOCK FAILED

Unlock using RFID Cards

Place the predefined user cards in RFID card reader to unlock. Under normal conditions, FE-IPDS-28A will announce “The door is now opened.” If the card has not been registered, FE-IPDS-28A will show “Unauthorized.” Both 13.56MHz and 125KHz RFID cards are supported on FE-IPDS-28A.

Unlock using RFID Cards

Users can press the predefined DTMF code from an answer unit to remotely unlock the door during the call. Users will also hear “**The door is now opened.**”



Freund Elektronik A/S, in cooperation with our sister company Freund Elektronika D.O.O. Sarajevo, is developing an IP-Based Intercoms, Audio Systems, Access Control and Smart Home solutions.

As a developer, manufacturer, and reseller, we have been self-improving and perfecting ourselves for over 30 years.

In the industry, we negotiate the most advanced and innovative solutions regarding the building communication. Our daily focus is on the development and user friendliness of our high quality and pleasantly designed products.

As a developer and manufacturer of our own IP-INTEGRA system, we have made a top-of-the-line products for Door Telephony, Public Audio, and Access Control solution.

Our development department, together with our partners, has created elegant and robust door phones, SIP-Centrals, Terminals, IP-Speakers, ACC Controllers, and applications with intelligent features using the most advanced technologies when available, and creating new technologies when they are not while keeping it simple for our customers.

