

FE-ACC-INT2D - PRODUCT DATASHEET

IP/TCP (POE+) BASED 2-DOOR IP-INTEGRA ACCESS CONTROL MODULE

System Status

System info

CPU Cores	4
CPU freq	2591.705 MHz
Host name	slpc
Kernel ver	4.9.0-8-amd64
IP	192.168.0.188/24
MAC	00:0c:29:f3:6c:51
Server time	21.02.2019 14:28:54

Licence info

Description	Current	Total
Devices	0	2
Doors	4	16
Zones	1	32
Users	1	64
Groups	1	16
TimeRanges	1	64
AccessRules	0	128

FE-ACC-INT2D
 Product: Integra Access Controller - 2 Doors
 Model: FE-ACC-INT2D
 Input: 15VDC @ min. 2A or PoE+ IEEE 802.11at IP address: _____

FREUND IP-INTEGRA FE-ACC-INT2D Access Controller is fully scalable Linux based unit that can be easily and intuitive configurable through WEB interface.

Supporting standard Wiegand, RS485 and IP/TCP protocols and 125 kHz / 13.56 MHz card readers with and without PIN keypad option.

Set up Access Control system intuitively through WEB-browser. No system complexity increased by extending system with additional modules. Easily scalable system, where adding additional controller module for additional 2 or 4 doors is just plug-and-play using INTEGRA-clustering and auto-provisioning option. Supporting PoE+, so no additional power supplies are needed even for powering electrical locks!

Access to the system from everywhere and connect geographically separated systems in one system through INTEGRA FQDN-service.

FREUND IP-INTEGRA Access Control System is easy integrable with IP-INTEGRA INTERCOM, IP-INTEGRA Public Audio systems and 3rd parts solutions supporting standard ACC-protocols.

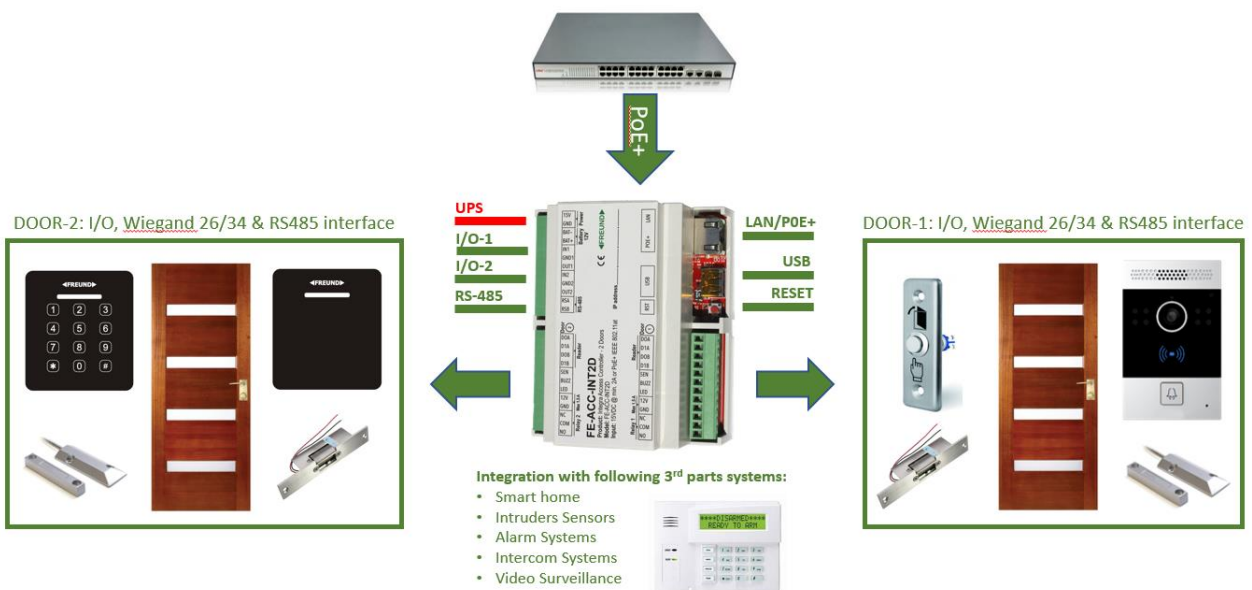
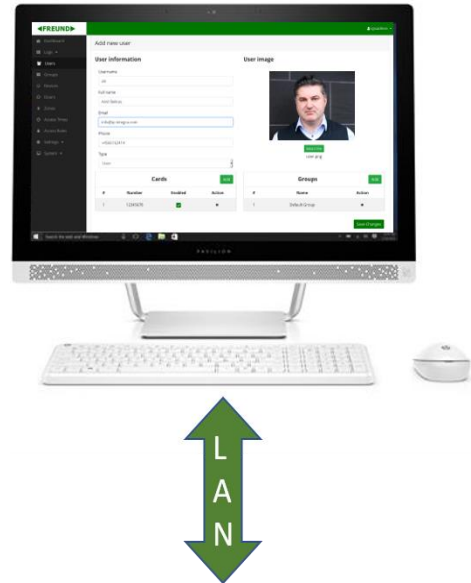
TECHNICAL SPECIFICATION	
SYSTEM	
Linux Processor Type	1.296GHz Allwinner H2+ Quadcore Cortex-A7
Linux Processor Memory	512 MB DDR3 RAM
MCU - sub processor	STM32F-32BIT
MCU Memory	256KB FLASH
INPUT/OUTPUT PORTS	
Input	4 x Wiegand & 2 x GPI Ports
Output	2 x GPO Ports
Communication	RS485, USB & IP/TCP
Reader Control & Status	2 x LED, 2 x BUZ, 2 x SEN
CAPACITY	
Users & Groups	100.000 & 1.000
Cards & Events	500.000 & 1.000.000
Controlles in Cluster	Limited by network capacity
Physical Doors & Virtual Doors	2 & Unlimited
FUNCTION	
Access control	Anti-pass back, Multi-interlock, Multi-card unlock, Time Scheduler, Visitor Card Management, User Presence Report, Device monitoring & notifications, Access Logs, Bulk Managemnt, Multi-Device Synchronisation
User Management	Master, Site-manager, Department, User
Alarm Functions	Door-close time out alarm, Intrusion alarm, Duress alarm, Tamper alarm, Out-of-drift alarm
RTC & Time sync	Yes
GENERAL	
Power Supply	DC12V/2A
Working Environment	-30°C to +60°C

APPLICATION

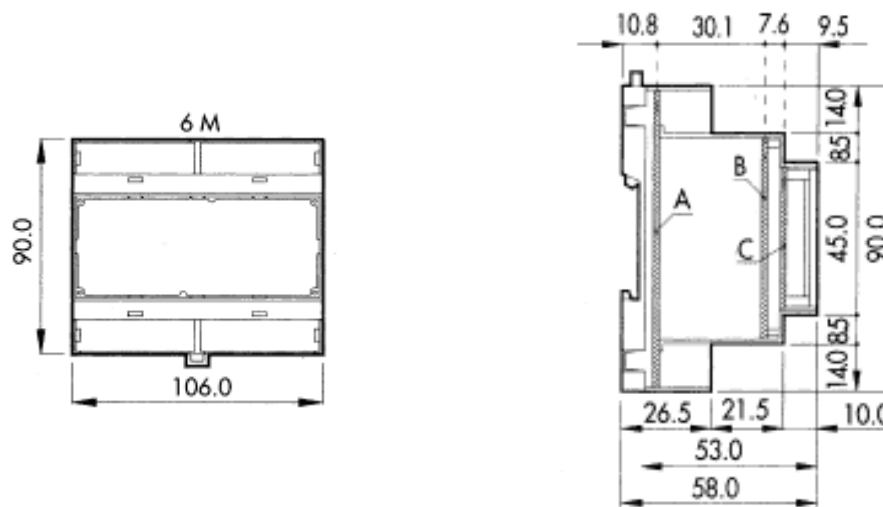
IP-INTEGRA FE-ACC-INT2D controller is supporting integration with all PROXY and MIFARE readers based on Wiegand 26 & Wiegand 32 and RS485 interface. In order to prevent compatibility problems, we are recommending to use Freund IP-INTEGRA peripherals and readers.

FE-ACC-INT2 supporting following functions:

- Connection to LAN/PoE+ (not additional PS needed)
- Sourcing Readers, Sensors and Electrical Lock directly from controller
- Full programmable General Purpose I/O ports
- USB interface for additional memory, programming and debugging
- RESET button to return device in last working or factory default state
- RS485 port for additional controllers and readers
- 2 Physical doors support through Wiegand and RS485 interface
- Limitless number of Virtual Doors from IP-INTEGRA INTERCOM system
- Integration with 3rd parts Building automation and surveillance systems



DIMENSIONS



FREUND ELEKTRONIK A/S, IN COOPERATION WITH ITS SISTER COMPANY FREUND ELEKTRONIKA D.O.O, DEVELOPS IP-BASED INTERCOM, AUDIO, ACCESS CONTROL AND SMART HOME SOLUTIONS.

WE HAVE MORE THAN 30 YEARS OF EXPERIENCE IN THIS TECHNOLOGY FIELD AS DEVELOPERS, MANUFACTURER AND RESALER COMPANY.

IN THE INDUSTRY, WE NEGOTIATE THE MOST INNOVATIVE SOLUTIONS WITHIN BUILDING COMMUNICATION. WE HAVE DAILY FOCUS ON DEVELOPMENT AND USER-FRIENDLINESS AND OUR PRODUCTS HAVE TECHNICAL HIGH QUALITY AND PLEASANT DESIGN.

AS A DEVELOPER AND MANUFACTURER OF OUR OWN IP-INTEGRA SYSTEMS, WE ARE ON TOP OF THE MOST ADVANCED SYSTEMS FOR DOOR TELEPHONY, PUBLIC AUDIO AND ACCESS CONTROLL SOLUTIONS.

OUR DEVELOPMENT DEPARTMENT HAVE DEVOLPED, TOGETHER WITH OUR PARTNERS, ELEGANT AND ROBUST DOORPHONES, SIP-CENTRALS, TERMINALS, IP-SPEAKERS, ACC-CONTROLLERS AND APPLICATIONS WITH INTELLIGENT FEATURES AND THE MOST ADVANCED TECHNOLOGY, BUT AT THE SAME TIME EASY FOR OUR CUSTOMERS TO USE.

FREUND GROUP IS ONE OF THE TOP PROVIDERS ON THE MARKET FOR IP-BASED BUILDING CONTROL AND COMMUNICATION AND RELATED SYSTEMS.